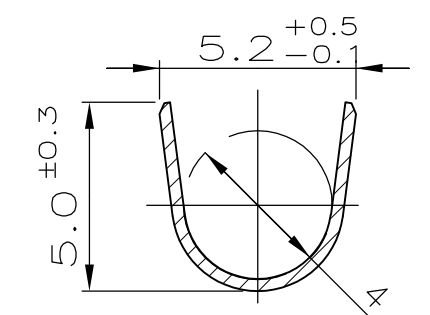
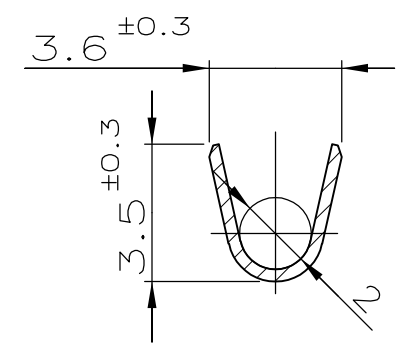
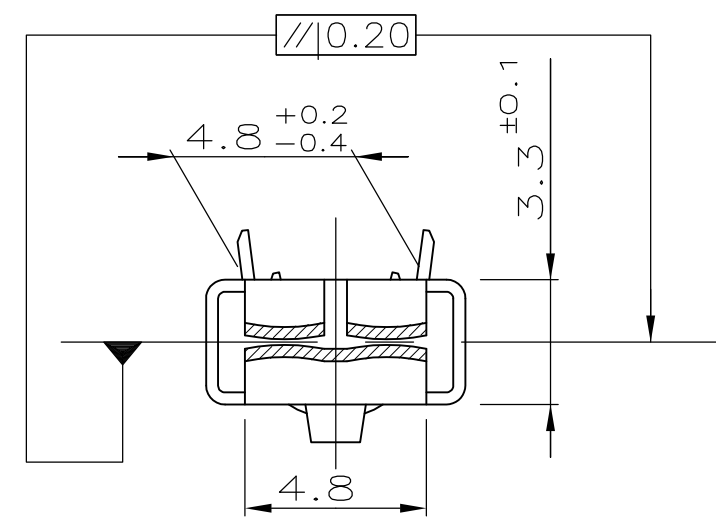
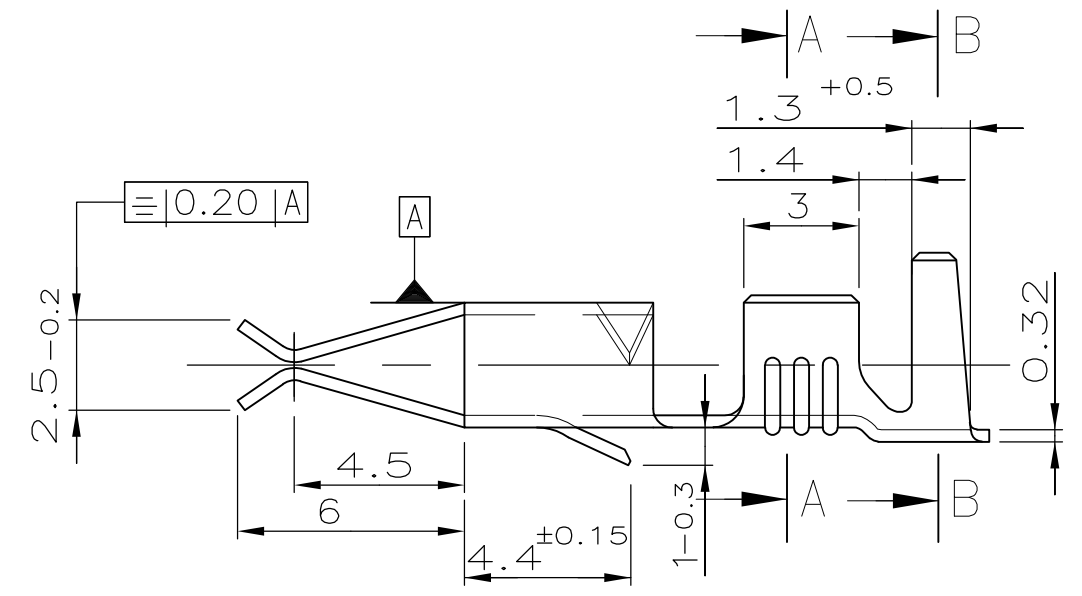


THIS DRAWING IS UNPUBLISHED. RELEASED FOR PUBLICATION
 © COPYRIGHT - By - ALL RIGHTS RESERVED.

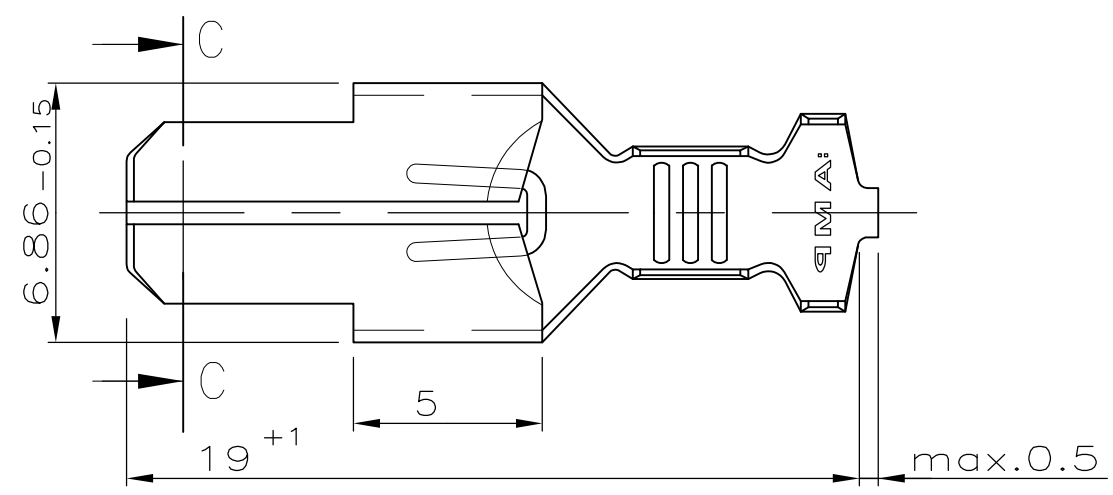
REVISIONS					
P	LTR	DESCRIPTION	DATE	DWN	APVD
D		CAD-ORIGINAL	03.03.88	-	-
D1		ECR-16-004045	25.MAR.2016	KD	RR



SECTION C-C

SECTION A-A

SECTION B-B



- ⚠ PRELIMINARY - NOT RELEASED FOR PRODUCTION
- ⚠ ONLY FOR 926973-4
 - WIRE RANGE
 - WIRE BARREL DIMENSION
 - INSULATION RANGE
 - INSULATION BARREL DIMENSION

OBSOLETE	TIN	CuFe	926973-3	0
OBSOLETE	TIN	CuSn4	926973-2	0
	TIN	CuZn30	926973-1	D
REMARK	FINISH	MATERIAL	PART NO.	REV.

INSUL. RANGE	WIRE RANGE
∅3.0-4.3 mm	1-2.5 mm ²

THIS DRAWING IS A CONTROLLED DOCUMENT.		DWN	3 MRZ 1988		STE TE Connectivity
		CHK	7 MRZ 1988		
		APVD	-		
		PRODUCT SPEC	-		
DIMENSIONS: mm		TOLERANCES UNLESS OTHERWISE SPECIFIED:		NAME	
		0 PLC ± -		STANDARD-TIMER CONTACT	
		1 PLC ± -			
		2 PLC ± 0.2 mm			
		3 PLC ± -			
		4 PLC ± -		SIZE	
		ANGLES ± 1°		CAGE CODE	
MATERIAL		FINISH		DRAWING NO	
-		-		A300779 C-926973	
				RESTRICTED TO	
				-	
		WEIGHT 0.528		SCALE 5:1	
		CUSTOMER DRAWING		SHEET 1 OF 2	
				REV D1	

THIS DRAWING IS UNPUBLISHED.

RELEASED FOR PUBLICATION

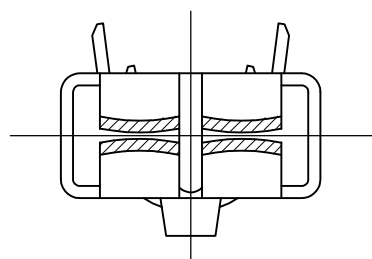
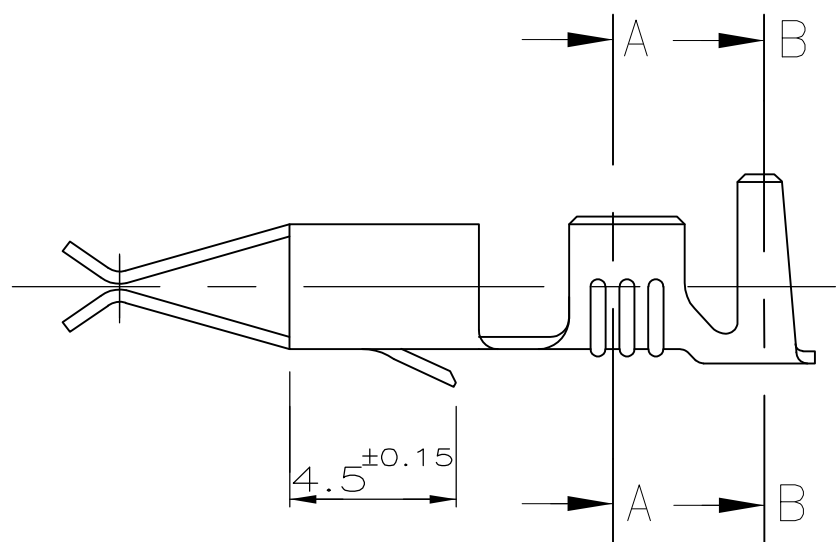
ALL RIGHTS RESERVED.

© COPYRIGHT - By -

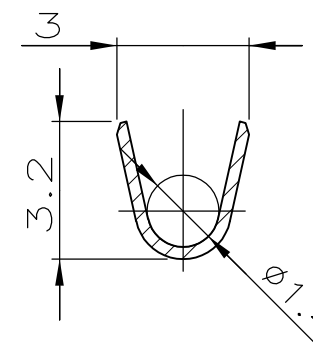
REVISIONS

P	LTR	DESCRIPTION	DATE	DWN	APVD
-	-	SEE SHEET 1	-	-	-

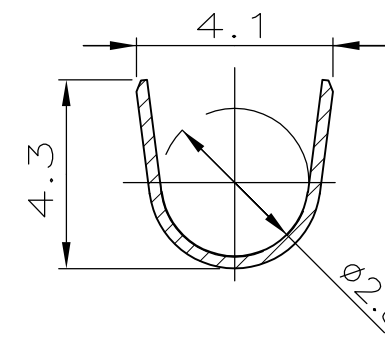
ONLY FOR 926973-4
OTHER DIMENSION SEE SHEET 1



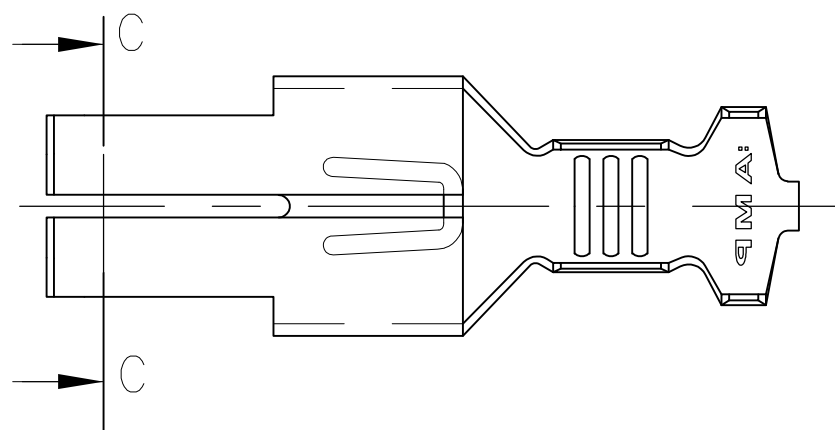
SECTION C-C



SECTION A-A



SECTION B-B



CROSS-SECTION IN mm²

0.5 + 0.5

0.75 + 0.5

1.0

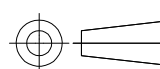
1.5

INSUL. RANGE
Ø2.0-3.0
mm

WIRE RANGE
1-1.5
mm²

THIS DRAWING IS A CONTROLLED DOCUMENT.

DIMENSIONS:
mm



TOLERANCES UNLESS OTHERWISE SPECIFIED:

- 0 PLC ± -
- 1 PLC ± -
- 2 PLC ± 0.2 mm
- 3 PLC ± -
- 4 PLC ± -
- ANGLES ± 1

MATERIAL

FINISH

PRELIMINARY

REMARK

TIN

FINISH

CuZn30

MATERIAL

926973-4

PART NO.

1

REV.

DWN GOERKE 3 MRZ 1988

CHK BITSCH 7 MRZ 1988

APVD

PRODUCT SPEC

APPLICATION SPEC

WEIGHT 0.529

CUSTOMER DRAWING



NAME STANDARD-TIMER CONTACT

SIZE CAGE CODE DRAWING NO RESTRICTED TO

A3 00779 C-926973

SCALE 5:1 SHEET 2 OF 2 REV D1